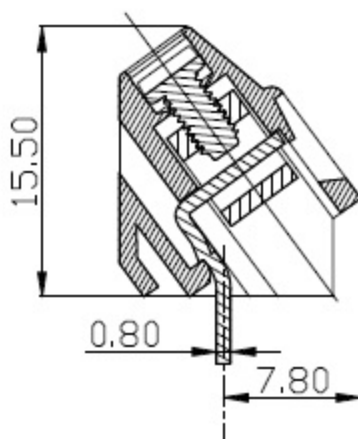
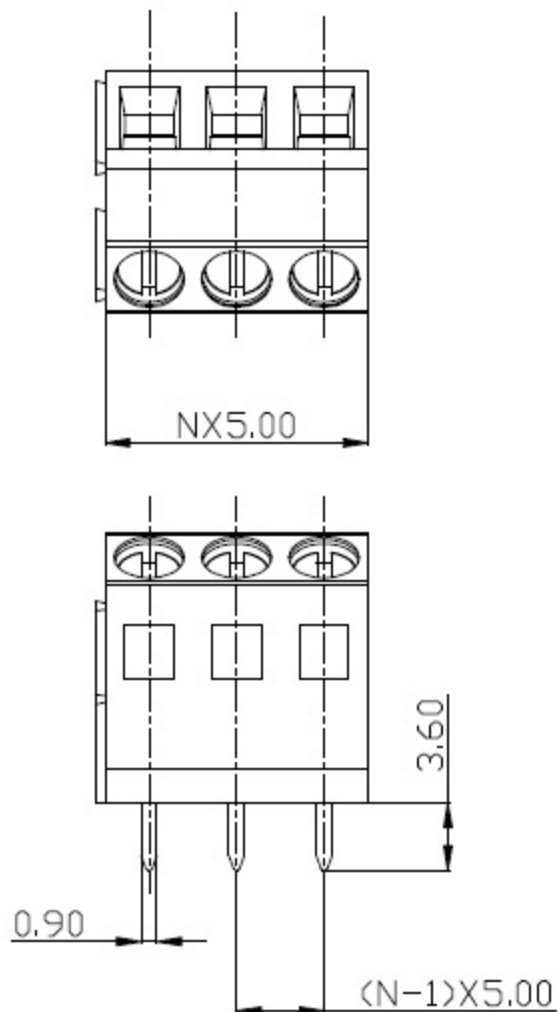


SIGN	DATE 10	DESCRIPTION	APPROVER
▲	09-29		
▲			
▲			



### Material

Housing: PA66 UL94V-0

Solder Pin: Brass, Tin plated

Screw: M2.5, Steel, Zinc plated

### Electrical

Rated Voltage: 300V

Rated Current: 6A

Contact Resistance: 20mΩ

Insulation Resistance: 5000MΩ/1000V

Withstanding Voltage: 2000V/1Min

Wire range: 26-18AWG

### Mechanical

Temp. Range: -40° C/+105° C

Torque: 0.5Nm

Strip length: 3.7-4.7mm

MAX soldering: +250° C5Sec

PART NAME:				TITLE:	
PART NO:				DWG NAME: A1.DWG	
APPROVED BY	CHECKED BY	DESIGNED BY	DRAWN BY	CUSTOM NO:	Tolerance
张雪涛			陈波		±0.05
					±0.10
					±0.20
					±0.50